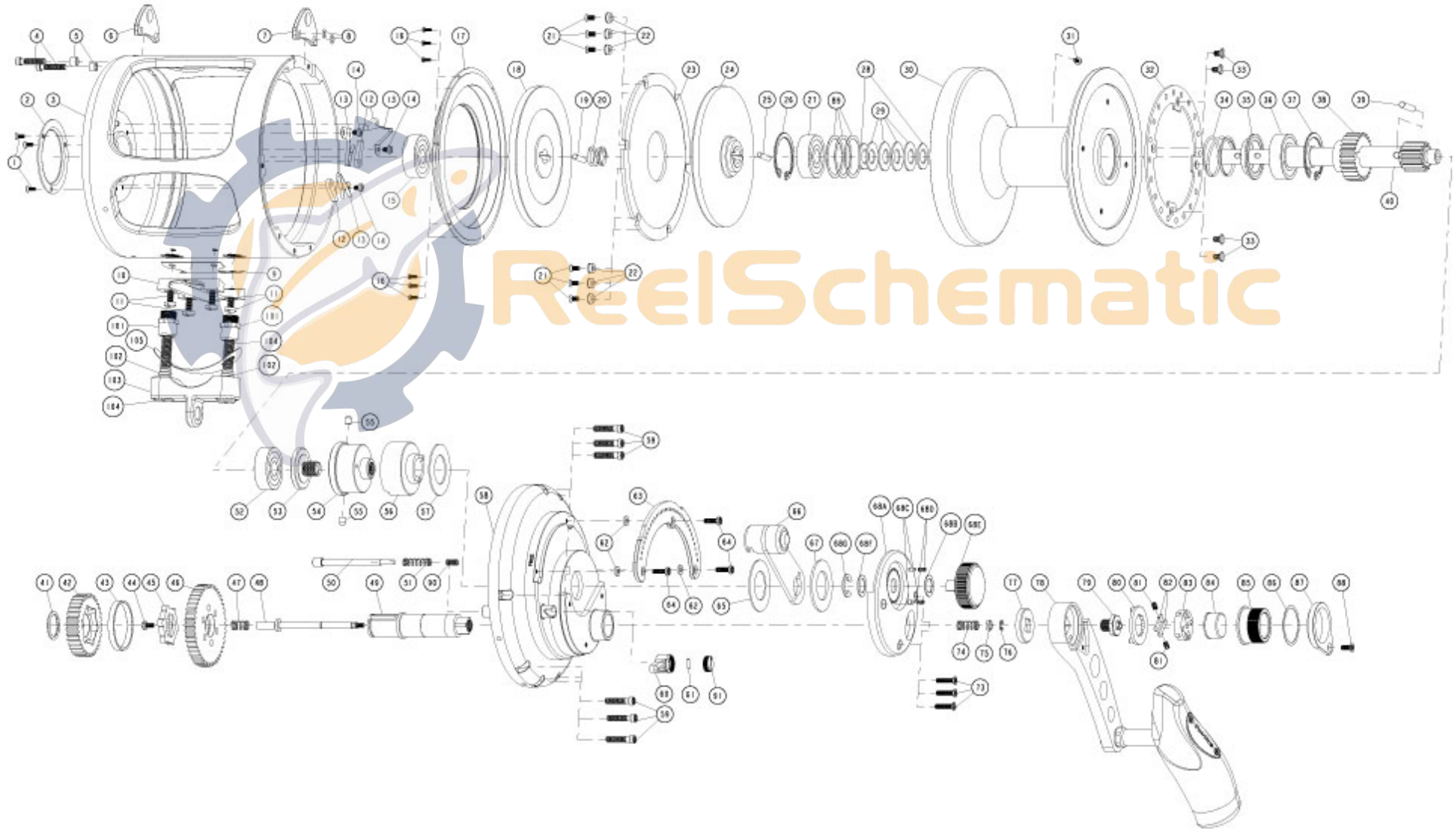


FIN-NOR[®]

LEGENDARY TACKLE SINCE 1933

Santiago 80W

FIN-NOR SANTIAGO 80W



FIN-NOR®

LEGENDARY TACKLE SINCE 1933

Santiago 80W

Fin_Nor Santiago Trolling Reels - 80W

Key No.	Description	Part No.	Key No.	Description	Part No.
1	Cosmetic Cover Screw	HX107-03	51	Bait Click Spring	LF110-03
2	Cosmetic Cover	LF145-01	52	Ball Bearing	GF017-01
3	Frame Assembly	GF301-01	53	Preset Screw	GF019-01
4	Harness Lug Screw	LF053-01	54	Cam Follower	GF153-01
5	Harness Lug Screw Collar	LF094-01	55	Cam Pin	GF093-01
6	Harness Lug	EF151-02	56	Cam	GF028-01
7	Harness Lug	EF151-01	57	Washer	GF035-01
8	O-Ring	MF101-01	58	Gear Side Cover Assembly	GF324-01
9	Reel Foot Gasket	GF155-01	59	Side Cover Screw	LF053-01
10	Reel Foot	GF106-01	60	Bait Click Lever	VF109-01
11	Reel Foot Screw	LF125-01	61	Bait Click Pawl Pin	WF100-01
12	Anti Reverse Pawl	LF063-01	62	Quadrant Spacer	MF094-01
13	Anti Reverse Pawl Spring	LF052-01	63	Quadrant	GF152-01
14	Anti Reverse Pawl Screw	LF050-01	64	Quadrant Screw	LF123-01
15	Ball Bearing	GF017-01	65	Drag Lever Washer	GF035-01
16	Spool Cover Screw	LF057-01	66	Drag Lever Assy	GF355-01
17	Spool Cover	GF051-01	67	Washer	GF035-02
18	Drag Plate Assembly -"B"	GF348-01	68	Front Housing Cover Kit include	GF499-01
19	Drag Plate Pin	EF100-01		68A - Front Housing Cover	GF099-01
20	Drag Compression Spring	GF040-01		68B - Washer	LF038-01
21	Drag Washer Screw	LF107-01		68C - Pre Set Knob Click Pawl	PW098-01
22	Drag Post	GF102-01		68D - Pre Set Knob Click Spring	YW114-01
23	Drag Washer	GF045-01		68E - Preset Knob	LF029-01
24	Drag Plate Assembly -"A"	NF348-01		68F - Washer	LF038-01
25	Drag Plate Pin	EF100-01		68G - E-Clip	LF092-01
26	Retaining Ring	GF075-01	73	Front Housing Cover Screw	MF050-01
27	Ball Bearing	GF017-01	74	Link Spring	LF070-01
28	Drag Adjusting Washer	EF032-03	75	Link Spring Holder	MF081-01
29	Drag Disc Spring	EF046-01	76	E-Clip	QW120-01
30	Spool	GF021-01	77	Handle Collar	GF081-01
31	Line Ting Screw	NF125-01	78	Handle Assembly	GF318-01
32	Bait Click Plate	GF113-01	79	Handle Nut	MF003-01
33	Bait Click Plate Screw	MF107-01	80	Handle Nut Retainer	LF034-01
34	Pressure Release Spring	NF040-01	81	Shift Spring	MF070-01
35	Pressure Release Spring Holder	GF041-01	82	Shift Holder	LF104-01
36	Ball Bearing	GF117-01	83	Shift Spring Holder	MF159-01
37	Retaining Ring	GF075-01	84	Shift Button	MF062-01
38	Low Speed Pinion Gear	GF011-01	85	Shift Knob	LF158-01
39	Pinion Gear Pin	NF093-01	86	Washer	MF035-01
40	Spool Shaft	GF015-01	87	Shift Knob Holder	LF159-01
41	Retaining Ring	FF075-01	88	Shift Knob Holder Screw	MF076-01
42	Low Speed Drive Gear	BX012-01	89	Bearing Adjusting Washer	GF038-01
43	Gear Spacer	GF094-01	90	Bait Click Lever Spring	JF071-01
44	Link Retainer Screw	MF053-01	91	Bait Click Lever Cap	VF115-01
45	Link	GF036-01	101	Rod Clamp Nut	LF003-01
46	High Speed Drive Gear	GF012-01	102	O-Ring	LF101-01
47	Link Spring	LF070-01	103	Rod Clamp	GF154-01
48	Link Shaft	GF146-01	104	Rod Clamp Bolt	MF125-02
49	Crank Shaft	GF008-01	105	Rod Clamp Pad	NF155-01
50	Bait Click Pawl	ZF114-01			